

# finishing accessories



FINISHING ACCESSORIES

# finishing accessories

transitional moldings						
product	application	profile	description	color	packaging	ADA compliant
140 carpet reducer - 1/4"	carpet		reduces 1/4" flooring to 0". 1 1/4" transition.	Sync	15-20' secs. per carton (300 feet)	yes
146 universal reducer - 3/8"	carpet, ceramic, wood & resilient		reduces 3/8" materials to 0". 1 5/8" transition.	Sync	10-12' secs. per carton (120 feet)	yes
147 overlap reducer - 3/8"	overlaps sports flooring, ceramic & wood		reduces 3/8" materials.	Sync	10-12' secs. per carton (120 feet)	yes
160 universal reducer	carpet, ceramic & wood		edge reducer for 1/2" materials. 2" transition.	Sync	10-12' secs. per carton (120 feet)	yes
165 carpet to resilient reducer - 1/4"	carpet & resilient		reduces 1/4" to 1/8" resilient in a 2" wide span for wheeled traffic.	Sync	10-12' secs. per carton (120 feet)	yes
170 carpet transitional reducer	carpet		9/32" reducer with 2 1/2" transition.	Sync	10-12' secs. per carton (120 feet)	yes
174 wedge-shaped reducer - 1/8"	flooring with heavy rolling loads		reduces 1/8" materials.	Sync	1-100' coil per carton (100 feet)	yes
175 carpet ramp	carpet		1/4" reducer with 4" transition. for heavy rolling traffic.	Sync	10-12' secs. per carton (120 feet)	yes
200 royal commercial reducer	carpet		transition reducer. 5/16" undercut for use with tackless or double-stick installations.	Sync	10-12' secs. per carton (120 feet)	yes
630 tile reducer - 1/16"	resilient		butts to reduce gauge of resilient to 0". 1" x 36" x 1/16".	Sync	50-3' secs. also available in 2-100' coils	yes
632 tile reducer - 3/32"	resilient		butts to reduce gauge of resilient to 0". 1" x 36" x 3/32".	Sync	50-3' secs. also available in 2-100' coils	yes
633 tile reducer - 1/8"	carpet		butts to reduce gauge of resilient to 0". 1" x 36" x 1/8".	Sync	50-3' secs. also available in 2-100' coils	yes
700 imperial reducer - 5/16"	carpet		1 11/32" transition reducer. for glue-down carpet; 5/16" undercut. can be trimmed to butt to tile.	Sync	20-12' secs. per carton (240 feet)	yes
705 super imperial reducer	carpet		1 15/16" heavy duty transition reducer. for glue-down carpet; 5/16" undercut. can be trimmed to butt to tile.	Sync	10-12' secs. per carton (120 feet)	yes
735 underslung reducer (dry back)	resilient		binder-bar edging for 1/16" to 1/8" resilient floors with dry back.	Sync	2-35' coils per carton (70 feet)	yes
800 imperial reducer - 1/4"	carpet		1 1/4" transition reducer. for glue-down carpet; 1/4" undercut. can be trimmed to butt to resilient tile.	Sync	20-12' secs. per carton (240 feet)	yes
900 imperial reducer - 3/16"	carpet		1 1/16" transition reducer. for glue-down carpet; 3/16" undercut. can be trimmed to butt to resilient tile.	Sync	20-12' secs. per carton (240 feet)	yes

# finishing accessories

joining moldings						
product	application	profile	description	color	packaging	ADA compliant
150	tile carpet joiner		one-piece molding. joins 1/4" carpet to 1/8" tile.	Sync	25-12' secs. per carton (300 feet)	yes
152	carpet to resilient		transitions 1/4" or 5/16" glue-down carpet to 1/16" to 1/8" resilient.	Sync	20-12' secs. per carton (240 feet)	yes
153	cercos bar 3/8"		one-piece molding for joining 5/16" carpet to 3/8" ceramic materials.	Sync	10-12' secs. per carton (120 feet)	yes
360	cercos T		snap-in t molding. joins 1/2" material. uses 970, 980, or 990 track only.	Sync	20-12' secs. per carton (240 feet)	yes
365	cercos edge T		joins 1/2" material to lesser-gauge material. uses 970, 980, or 990 track only.	Sync	20-12' secs. per carton (240 feet)	yes
370	end cap T		butts up against edge of 1/2" material to lesser-gauge material. uses 970, 980, or 990 track only.	Sync	20-12' secs. per carton (240 feet)	NA
710	carpet resilient		transitions 5/16" glue-down carpet to 1/8" resilient.	Sync	10-12' secs. per carton (120 feet)	yes
930	snap down T		snap-in t molding. joins 1/4" or 5/16" material on each side. uses 970, 980, or 990 track only.	Sync	20-12' secs. per carton (240 feet)	NA
935	super 2" T		snap-in t molding. joins 1/4" or 5/16" material on each side. uses 970, 980, and 990 track only.	Sync	20-12' secs. per carton (240 feet)	yes
940	standard edge T		joins 1/4" to lesser gauge. 1 1/8" wide; 1/4" leg. uses 970, 980, or 990 track only.	Sync	20-12' secs. per carton (240 feet)	yes
970	single flange vinyl track		for 1/4" and 1/2" leg t portions. use with 360, 365, 930, 935 & 940 t's.	900 Natural only	20-12' secs. per carton (240 feet)	NA
975	vinyl track extender		adds height up to 5/8" on snap-in t molding for ceramic, wood, and laminates. use with 970 track for 360, 365, 930, 935, and 940 t's.	900 Natural only	20-12' secs. per carton (240 feet)	NA
980	pinless metal track		designed to install t moldings 360, 365, 930, 935 and 940. aluminum.	Metal	48-12' secs. per carton (576 feet)	NA
990	metal track with pins		designed to install t moldings 360, 365, 930, 935 and 940. aluminum.	Metal	48-12' secs. per carton (576 feet)	NA



150 - Tile-Carpet Joiner - 1/8"



152 - Carpet to Resilient Transition - 1/8"



935 - Super 2" T - 1/4"



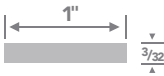
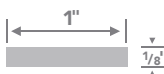
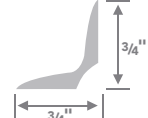
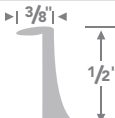
153 - Cercos Bar - 3/8"

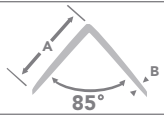
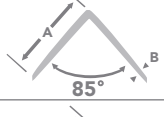

mat edge moldings						
product	application	profile	description	color	packaging	ADA compliant
420	mat edging carpet		flexible vinyl for protecting edges of floor mats 3/16" butt edge. 1 5/8" transition.	901 Night Black only	2-50' coils per carton (110 feet)	yes
425	mat edging carpet		flexible vinyl for protecting edges of floor mats 3/8" butt edge. 1 5/8" transition.	901 Night Black only	2-50' coils per carton (110 feet)	yes

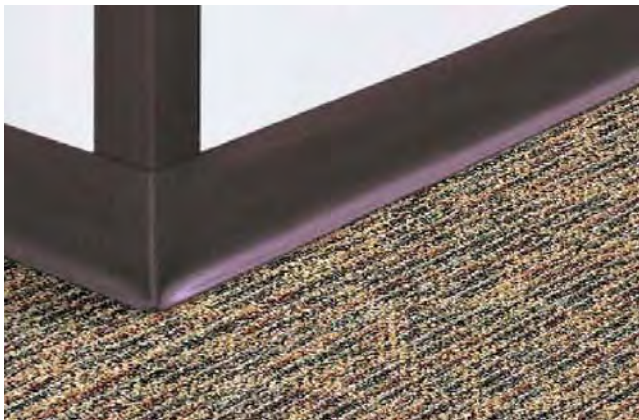


# finishing accessories

tub moldings					
product	profile	description	color	packaging	ADA compliant
060 tub molding (self-stick)		mirror-finish® cove for bathtub, counter, and shelves; 1 1/2" height.	934 butter 935 cameo white	24-5' sections per carton (120 feet)	NA
605 tub moulding (self-stick)		mirror-finish® cove for bathtub, counter, and shelves; 1" height.	934 butter 935 cameo white	24-5' sections per carton (120 feet)	NA

miscellaneous moldings					
product	profile	description	color	packaging	ADA compliant
642 feature strip - 3/32"		accent strip for custom inlaid floors; 3/32" gauge. 1" x 36" x 3/32".	Sync	50-3' secs. per carton (150 feet)	NA
643 feature strip - 1/8"		same specifications as 642 feature strip, but 1/8" thick.	Sync	50-3' secs. per carton (150 feet)	NA
655 utility molding - 3/4"		finish moulding for inside any right angle.	934 butter 935 cameo white	25-5' secs. per carton (125 feet)	NA
452 contour cap		flexible contour cap for carpet and resilient that forms to irregular shapes.	Sync	20-12' secs. per carton (240 feet)	NA

flexible corner guards					
product	profile	description	color	packaging	ADA compliant
691 flexible corner guard		90° angular shaped profile with 2 1/2" return legs. legs taper from 7/32" at nose to 3/16" at tip.	Sync	6-54" secs. (27 feet) per carton or 6-108" secs. (54 feet) per carton	NA
693 flexible corner guard		90° angular shaped profile with 3/4" return legs. 1/8" leg thickness.	Sync	20-54" secs. (90 feet) per carton* or 20-108" secs. (180 feet) per carton*	NA
695 flexible corner guard		90° angular shaped profile with 1 1/2" return legs. 1/8" leg thickness	Sync	20-54" secs. (90 feet) per carton* or 20-108" secs. (180 feet) per carton*	NA



Flexible corner guards provide color-coordinated wall protection at outside wall corners... one of the most vulnerable areas for chipping of wall material.



# finishing accessories

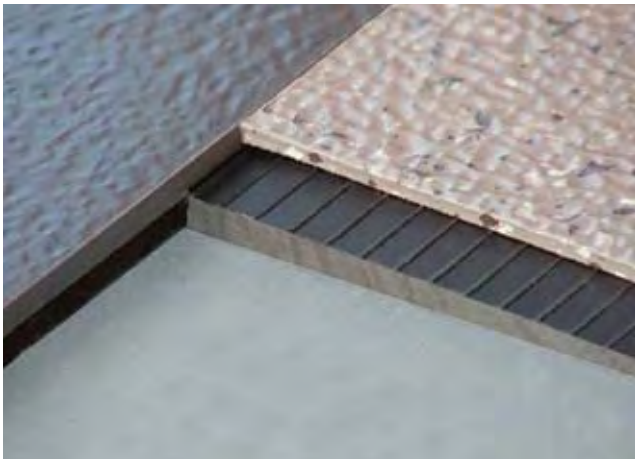
edge finishing moldings						
product	application	profile	description	color	packaging	ADA compliant
022 carpet cove cap	carpet		semi-rigid capping. for 1/4" and 5/16" covered carpet; one-man installation.	Sync	20-12' secs. per carton (240 feet)	NA
040 round cap - 1/8"	resilient		cap for covered sheet goods. 1/8" gauge; round top.	Sync	50-12' secs. per carton (600 feet)	NA
225 flex cove cap	carpet		cap for 3/16" covered/glue-down carpet.	Sync	20-12' secs. per carton (240 feet)	NA
230 mono edge	carpet		flexible capping. for 1/4" covered/glue-down carpet or grass; one-man installation.	Sync	20-12' secs. per carton (240 feet)	NA
390 square cap - 1/8"	resilient		cap for 1/8" covered sheet vinyl.	Sync	50-12' secs. per carton (600 feet)	NA
400 custom edge	carpet		bevel-edge reducer. for 5/16" carpet; deep undercut.	Sync	25-12' secs. per carton (300 feet)	yes
430 mercap - 9/32"	carpet ceramic wood		cap for covered carpet, paneling, and ceramics. 9/32" inside dimension.	Sync	50-12' secs. per carton (600 feet)	NA
450 square cap - 1/4"	carpet wood		square cap for covered carpets and wood panels.	Sync	40-12' secs. per carton (480 feet)	NA

cove supports with edge						
product	application	profile	description	color	packaging	ADA compliant
070	resilient cove stick (flexible)		quarter-round. supports sheet goods for coving. forms 1" radius at 90° installation.	935 cameo white	5-20' coils per carton (100 feet)	NA
075	resilient		quarter round. supports sheet goods for coving. forms 1" radius at 90° installation.	900 natural	100-5' secs. per carton (500 feet)	NA
725	resilient		coving support for sheet vinyl. replaces wood cove. forms 1" radius at 90° installation.	900 natural	100-5' secs. per carton (500 feet)	NA



# finishing accessories

subfloor leveling system					
product	profile	description	color	packaging	ADA compliant
190		12" subfloor reducer - 1/4" x 12"	NA	10-4' secs. per 40' carton	yes
191		12" subfloor reducer - 3/8" x 12"	NA	5-4' secs. per 20' carton	yes
192		12" subfloor reducer - 1/2" x 12"	NA	5-4' secs. per 20' carton	yes



Mannington's subfloor transitional reducers solve the problem of slight differences in elevation between flooring surfaces. Traditional methods of using patching compounds are eliminated, so transitions are done more quickly and more accurately. Some of the advantages include;

- Scoring marks placed at common thicknesses
- No waiting time for leveling compounds to cure
- Ribbed back helps promote better adhesion
- Designed to be installed over concrete, wood and steel subfloors

